

### Features

- Loop Start Trunk Interface
- 600 Ohm input impedance
- Line state detection outputs:
  - forward loop
  - reverse loop
  - ringing voltage
  - service out
- Transformerless 2W to 4W conversion
- One loop start relay driver
- +/- 5V operation

### Applications

Interface to Central Office for:

- PABX
- Key Telephone Systems
- Channel Bank
- Voice Mail
- Terminal Equipment
- Digital Loop Carrier
- Optical Multiplexer

ISSUE 3

April 1995

**Ordering Information**

MH88634K    21 Pin SIL Package

**0°C to 70°C**

### Description

The Mitel MH88634K Central Office Trunk Interface circuit provides a complete audio and signalling link between audio switching equipment and a central office. The functions provided by the MH88634K include 2-4 Wire conversion, 600 Ohm input impedance and network balance. The device is fabricated as a thick film hybrid incorporating various technologies for optimum circuit design and very high reliability.

Not Recommended  
for New Design  
See MH88634BVK

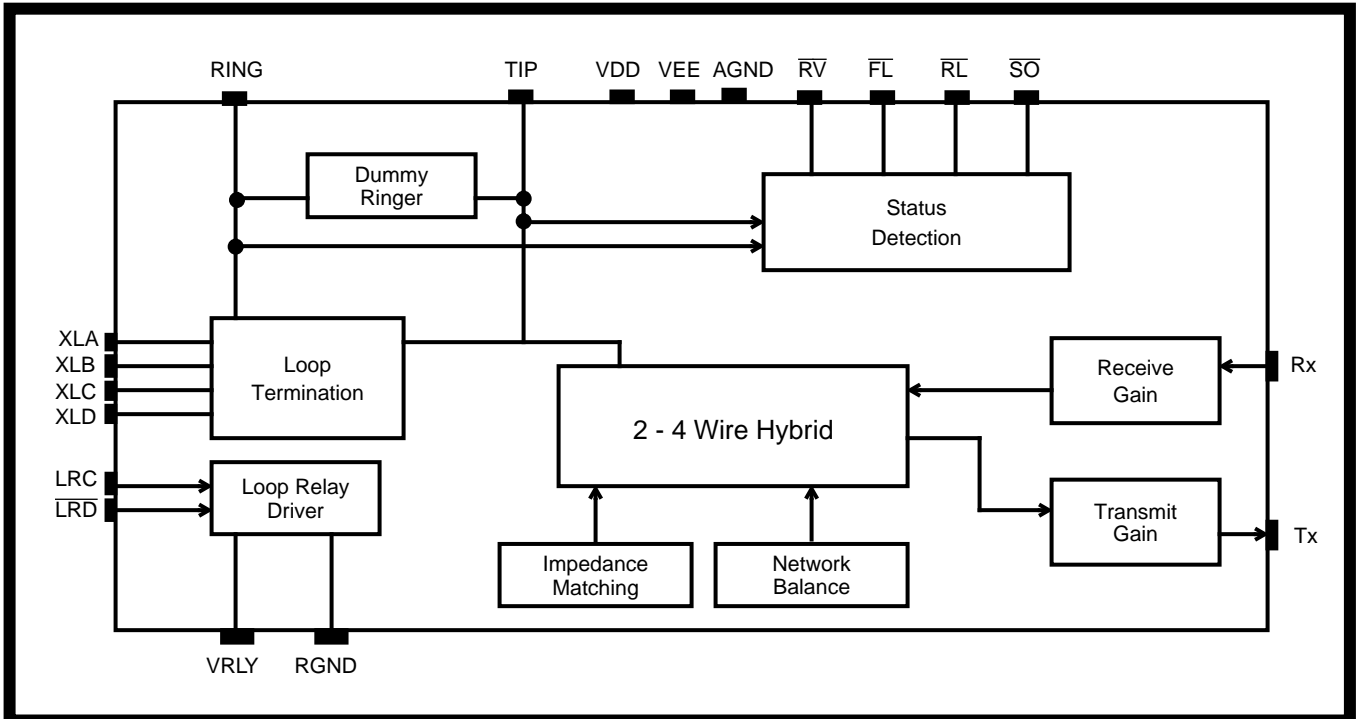


Figure 1 - Functional Block Diagram

Notes: